



Cheers Second Sprint

Master Practical: Edge Computing and the Internet of Things - Team GAD

Aziz, Daniel, Gustav



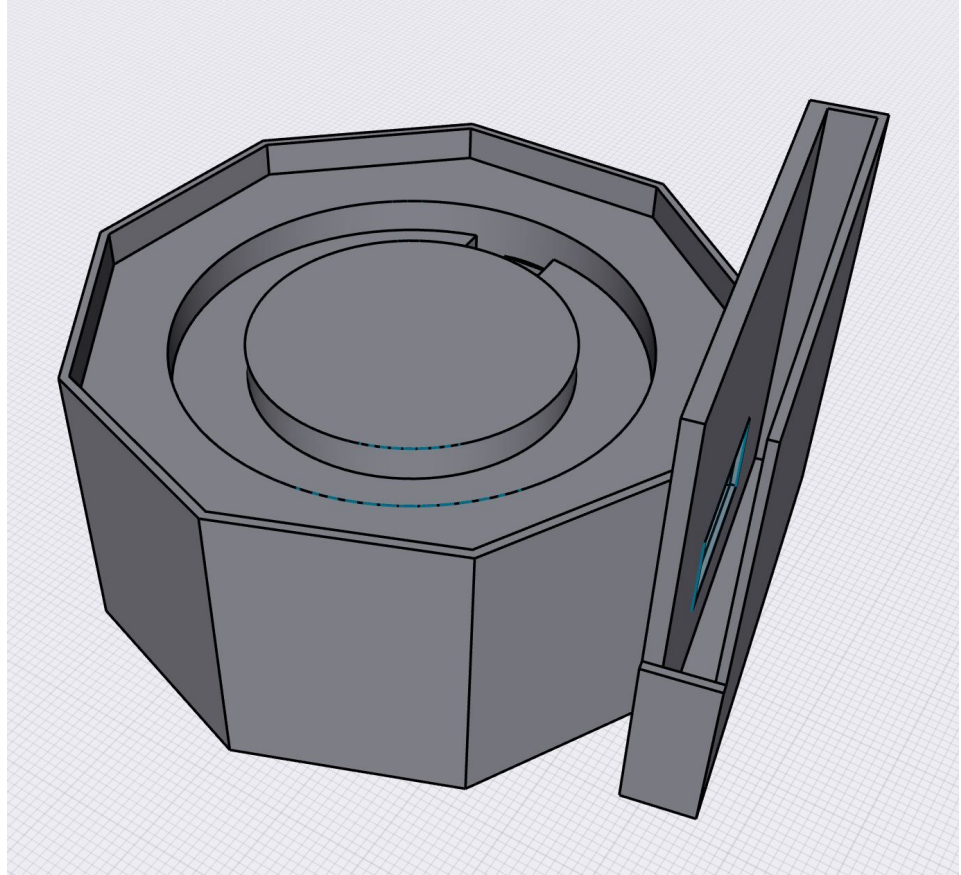
Planned tasks for Sprint 2

- Improve Hardware Prototype
 - build 3D printed case
 - add threads
 - fix NFC reliability
- Expand gateway functionalities
- Expand cloud functionalities
 - different user and provider accounts



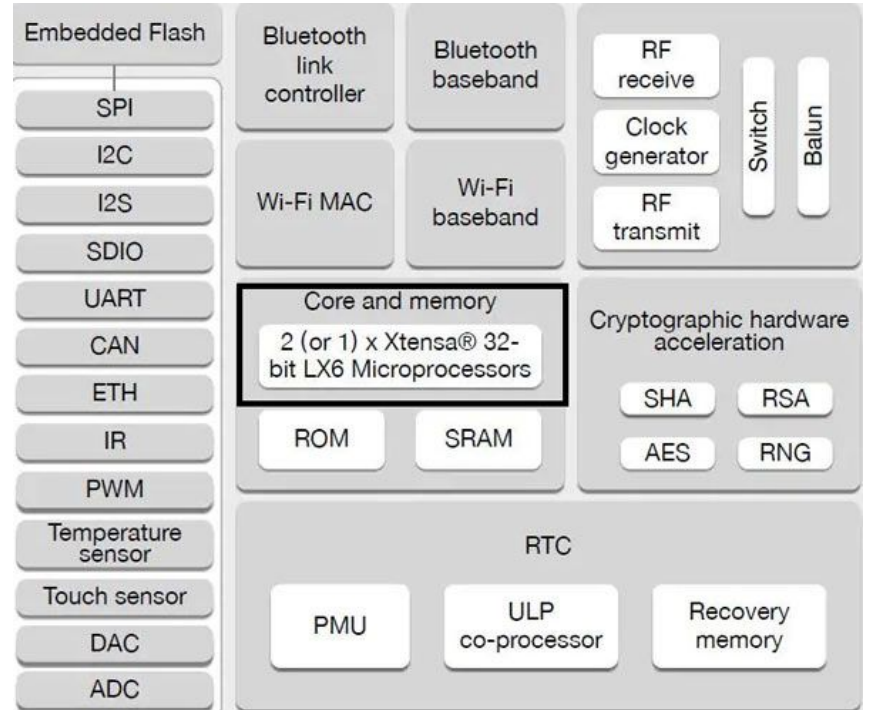
3D Model

- First iteration of the 3D model
- Will be improved and made waterproof in the future



LED control

- Use second core instead of threads
- Core 1:
 - WIFI/ZigBee
 - MQTT
 - NFC
- Core 2:
 - LED animations





Gateway

Select :



Order a drink



Start a game



Cloud

Demo



Problems in this Sprint

- NFC module is still not reliable
 - often needs a reset
 - => does not work with software reset => try other modules
- ZigBee modules were detected but could not be used
 - => must be flashed before



Plans for the next sprint

- Improve Hardware Prototype
- Expand gateway functionalities
 - Add at least 2 Games
 - Add points system + leaderboard
- Expand cloud functionalities
 - different user and provider accounts